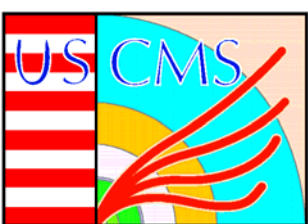




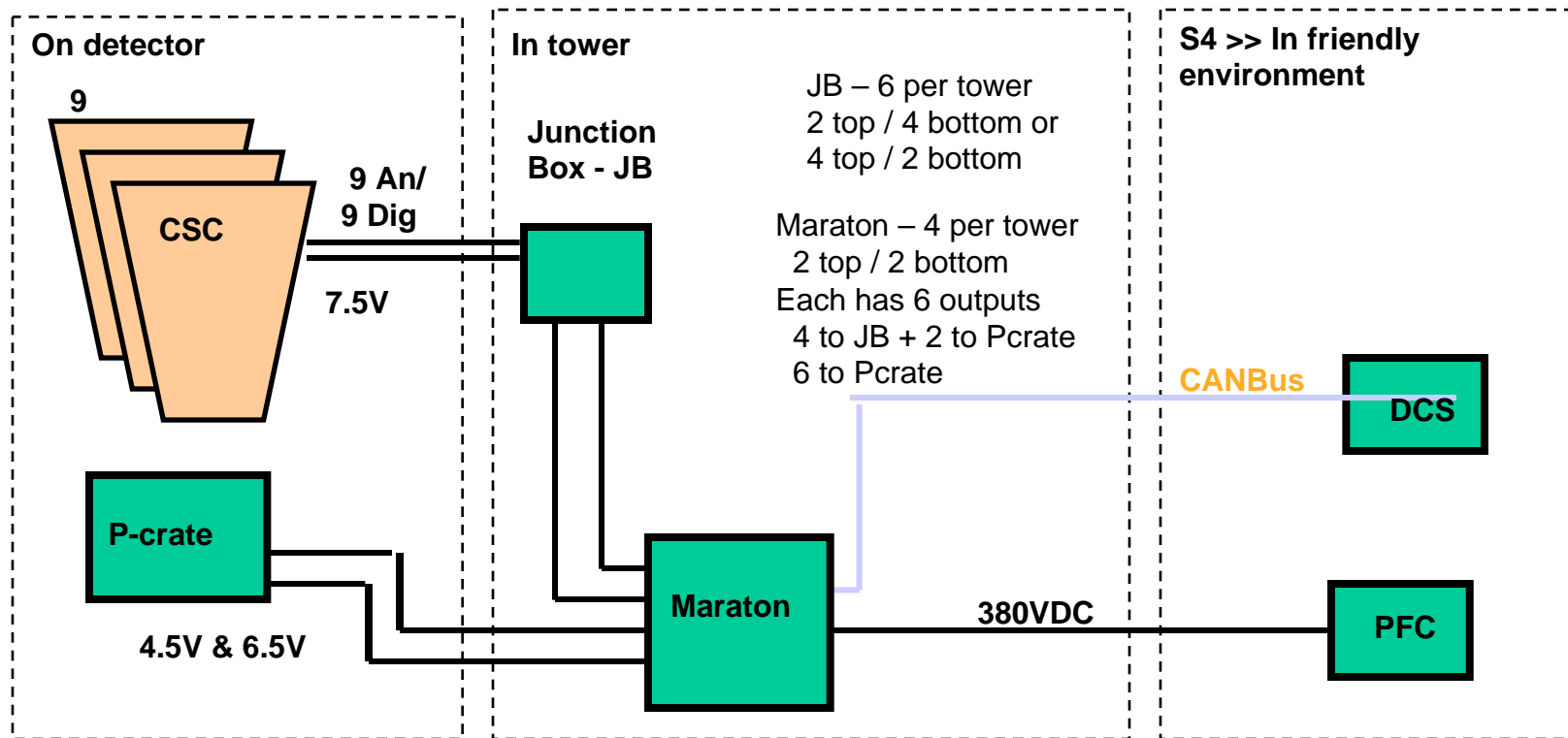
ME Low Voltage Power System Overview

Fred Borcharding



LV System

- UPS AC power to PFC Modules in S4F04
- 385VDC from one PFC to one Maraton
- From Maraton = To JB >7.5V Analog power & 7.5V Digital power
To P Crates > 4.5V & 6.5V

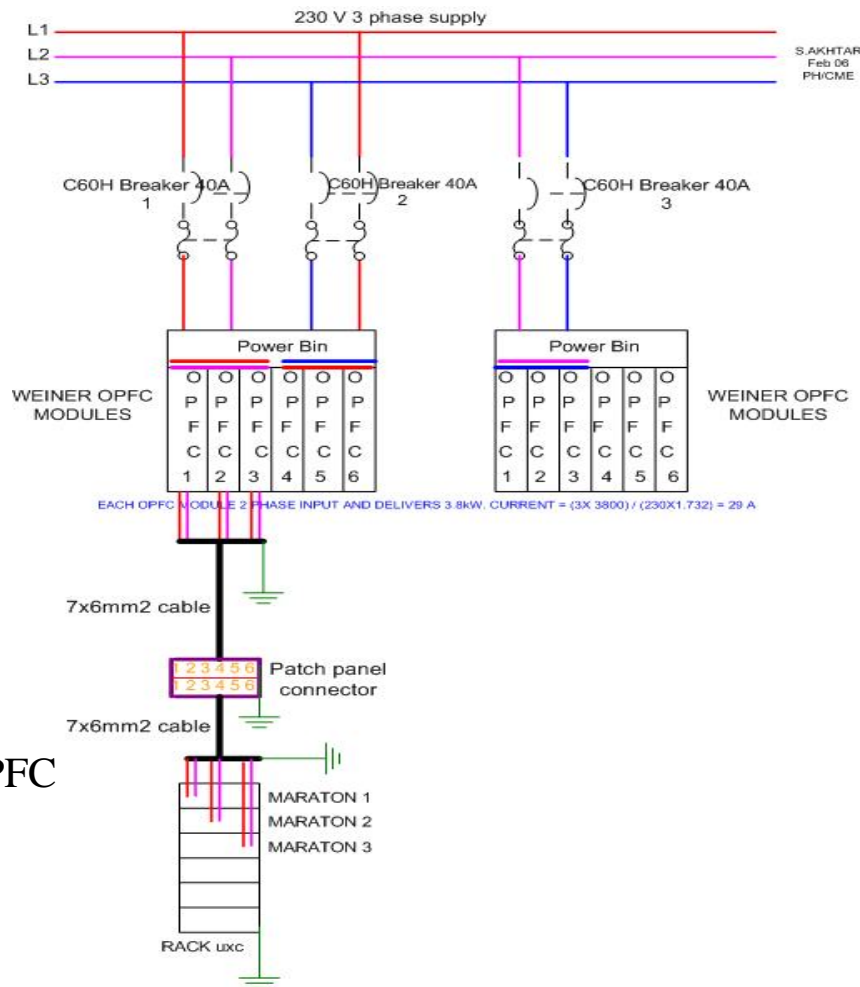




Power Source

1. LV WEINER Distribution

Slide from X.Akhtor of
1-Mar-06



WEINER

230VAC 3 phase from UPS

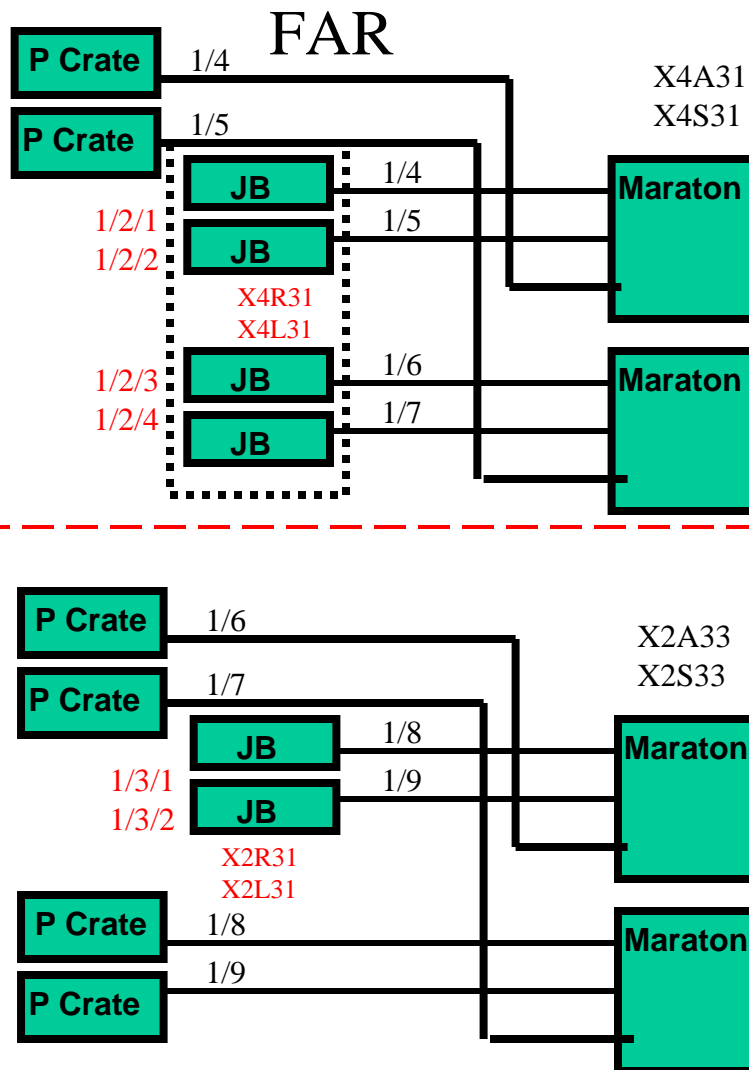
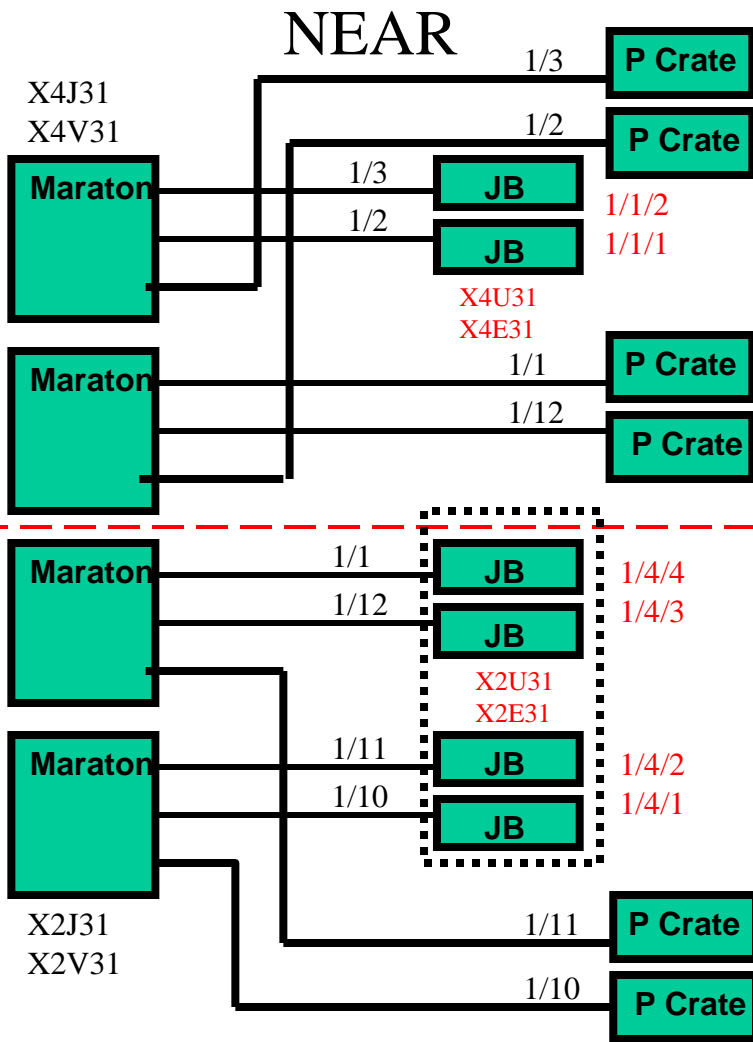
Remote controlled breakers (DSS) to S4F04

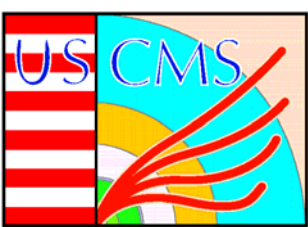
230VAC single phase to 385VDC in PFC Module

385VDC to Maraton Rack in Cavern, UXC55

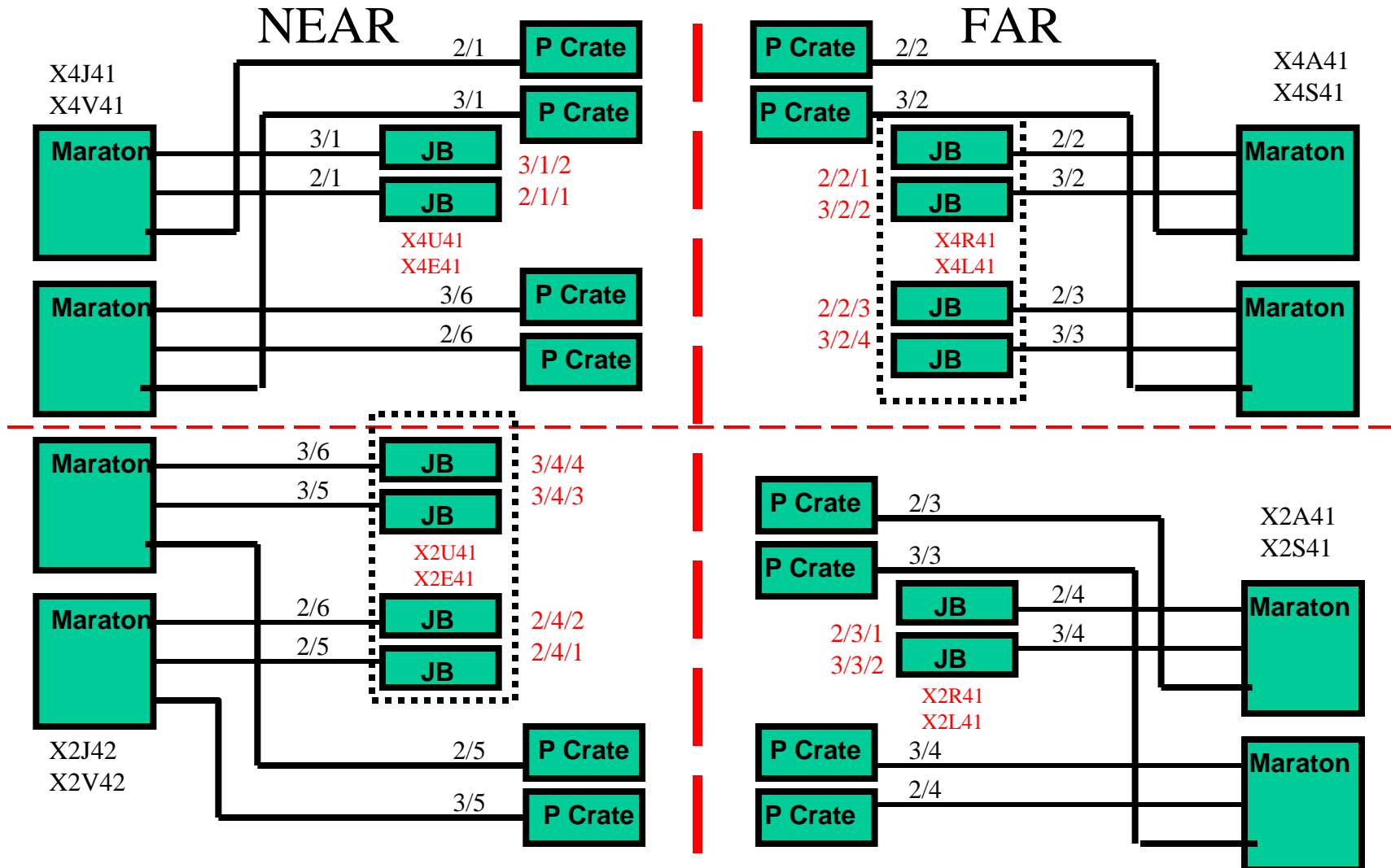


LV Layout for YE1



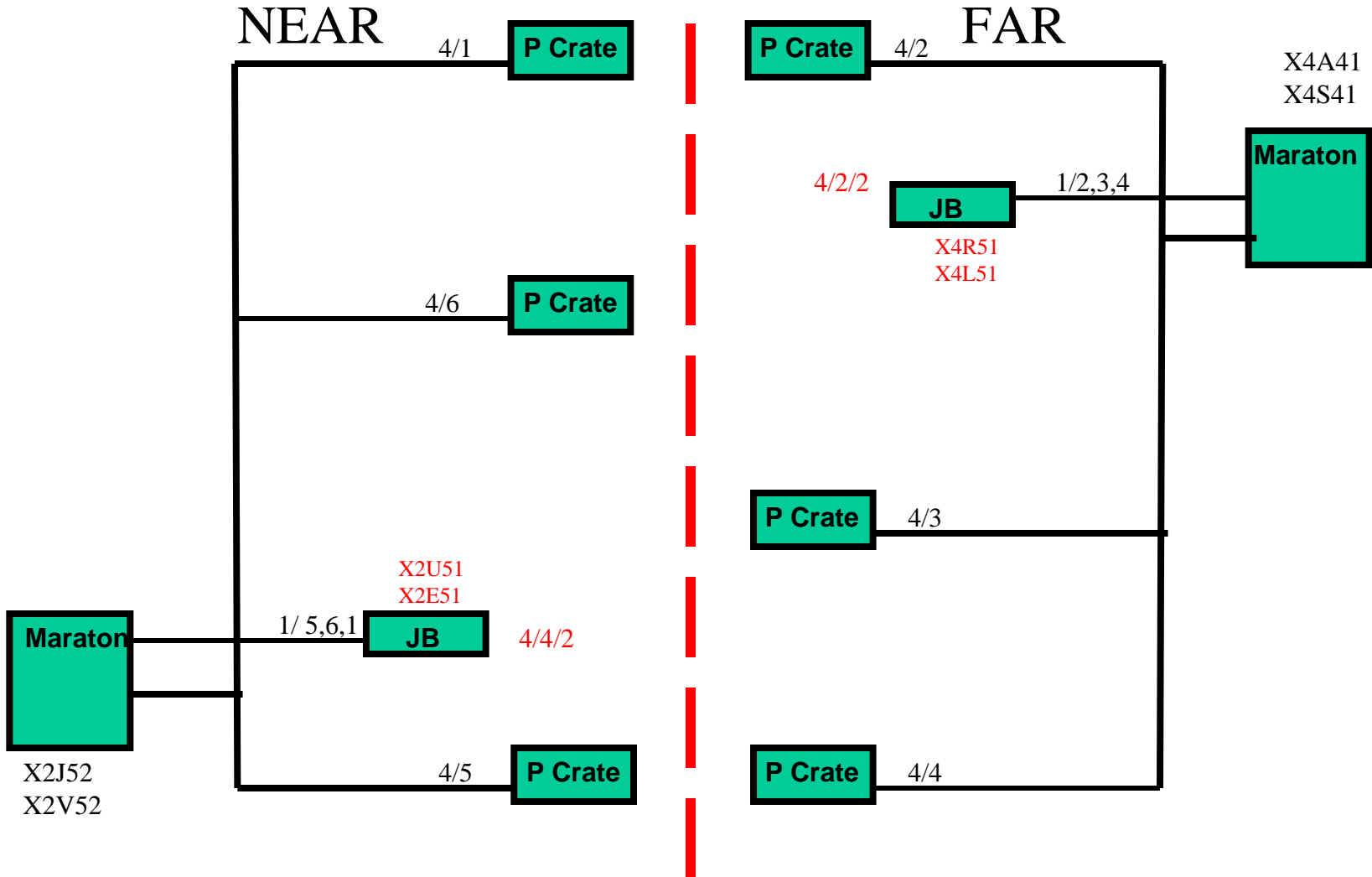


LV Layout for YE2





LV Layout for YE3







LVPS 1st Turn On

